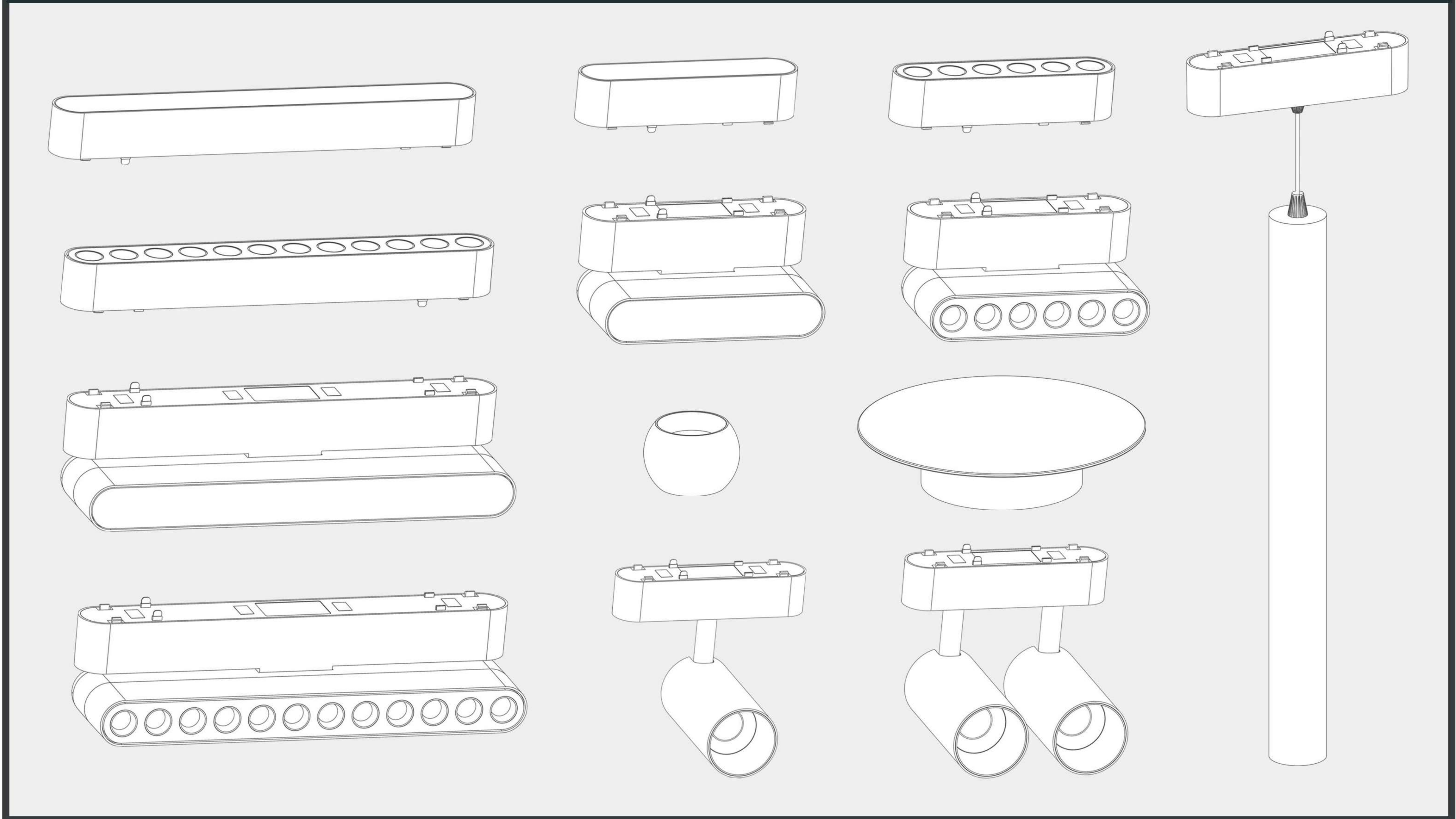
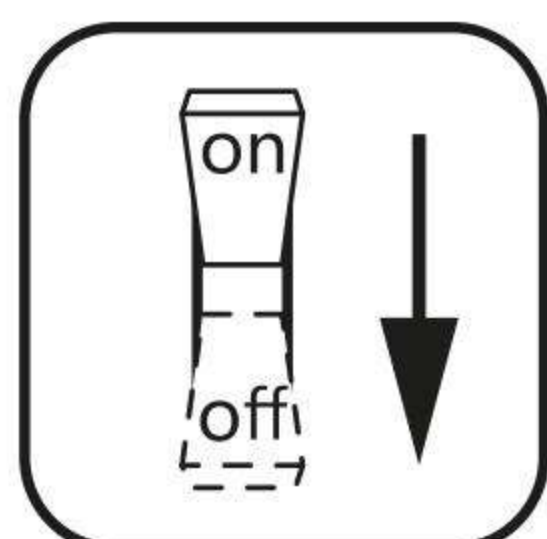
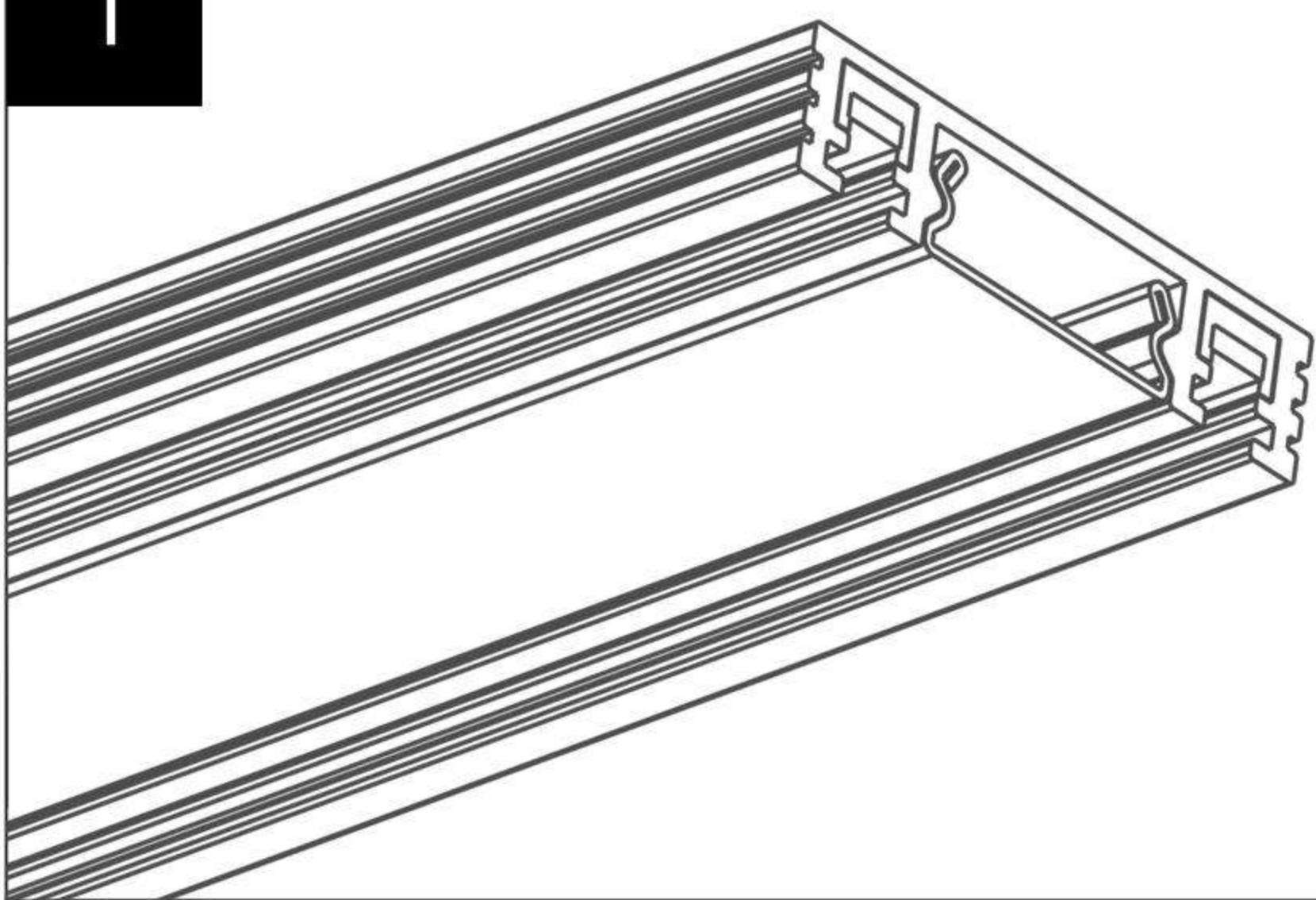


This manual is applicable to the following series of lamps



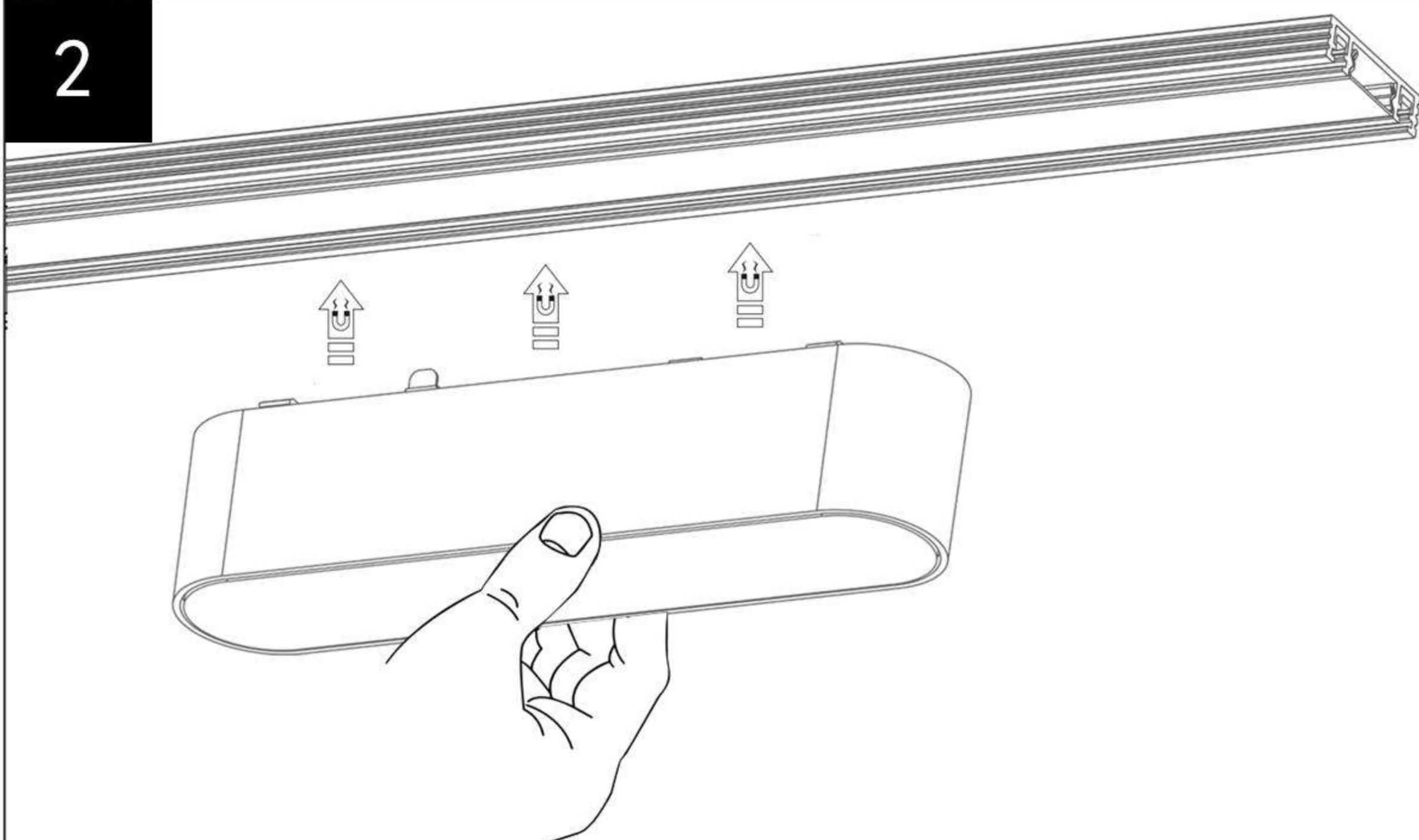
Install lighting fixtures

1



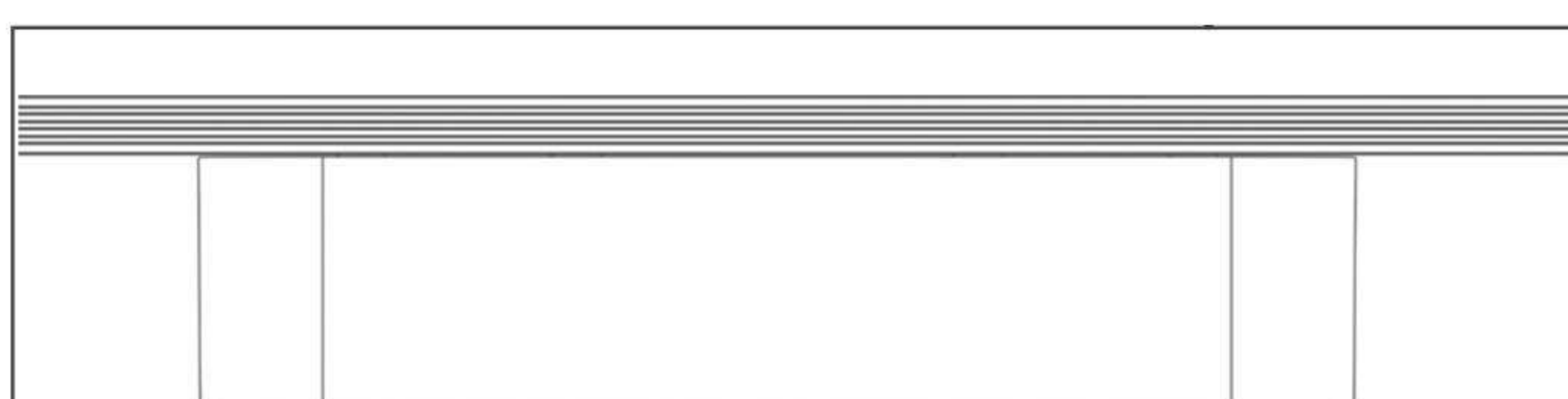
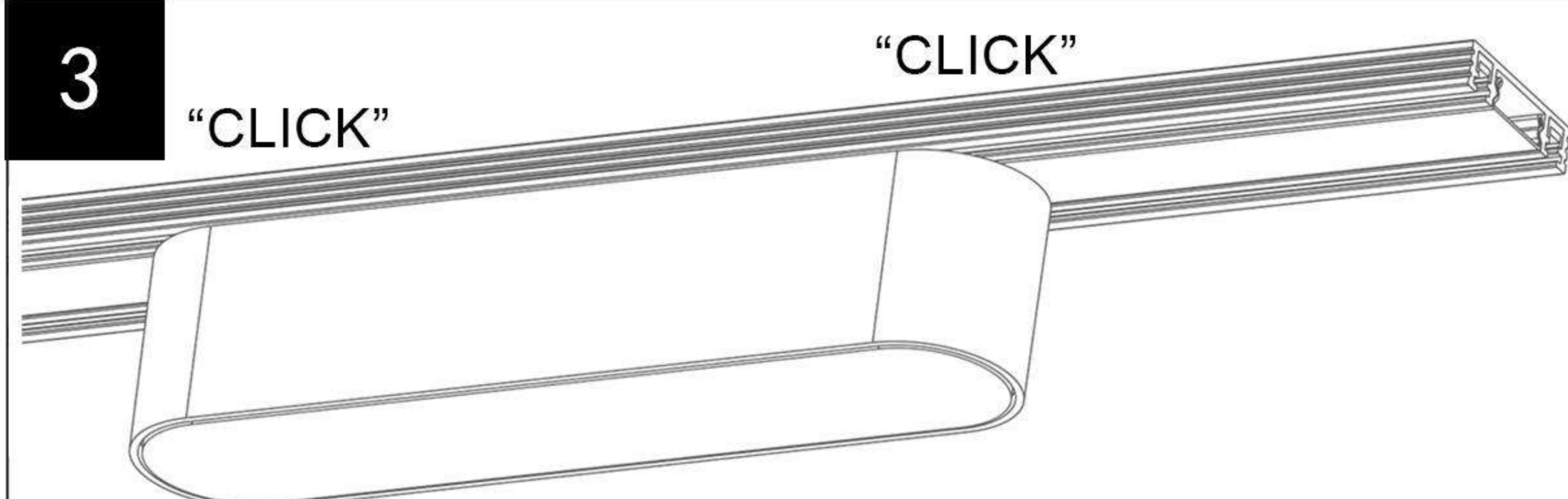
POWER-OFF

2



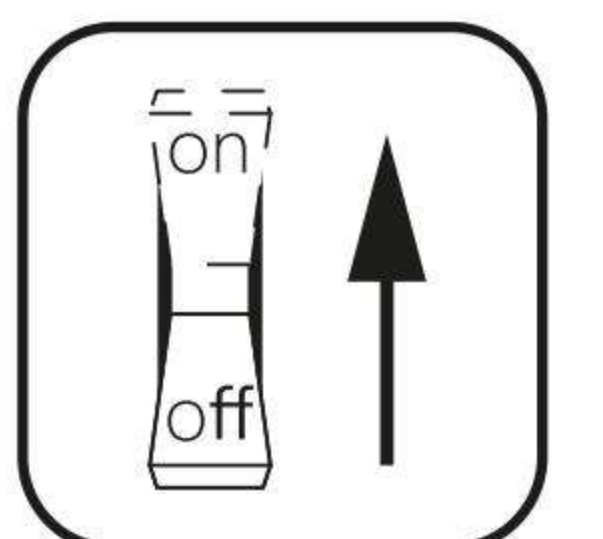
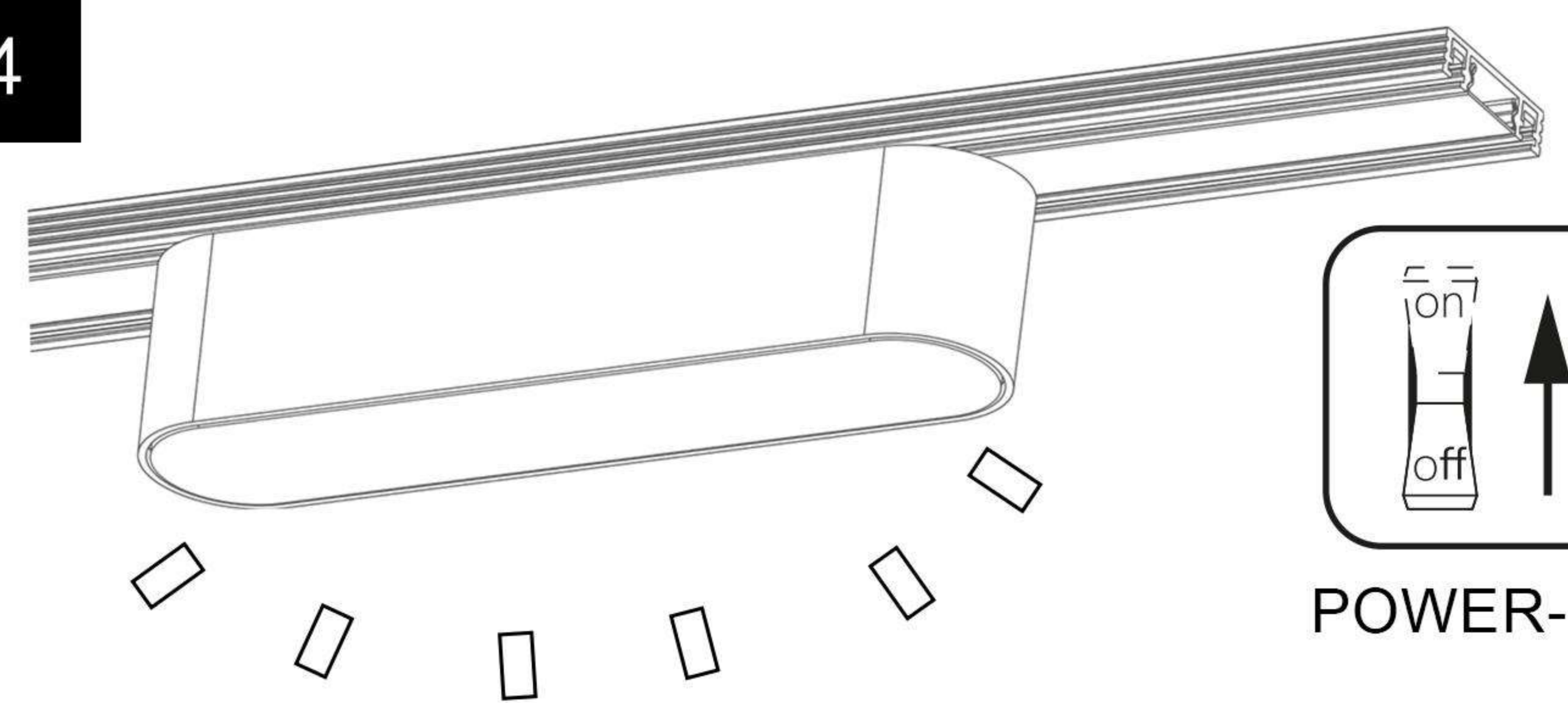
Please align the copper contacts at the bottom of the lamp and insert them vertically into the magnetic rail chute

3



After the installation of the lighting fixture, give feedback twice with a "click" sound and observe if the lighting fixture is secure and completely flat against the magnetic track

4

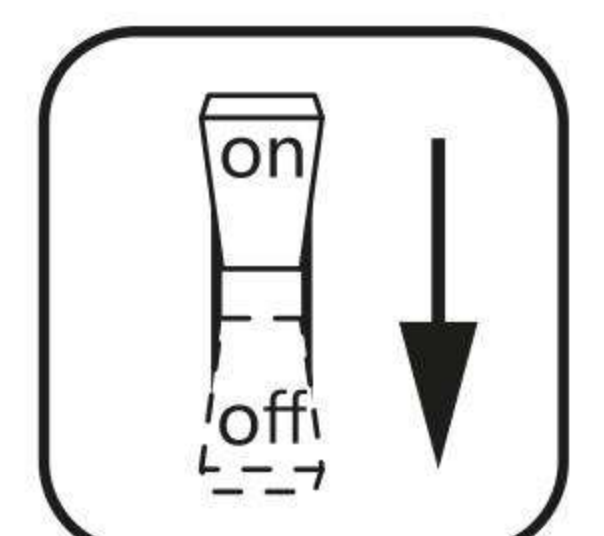
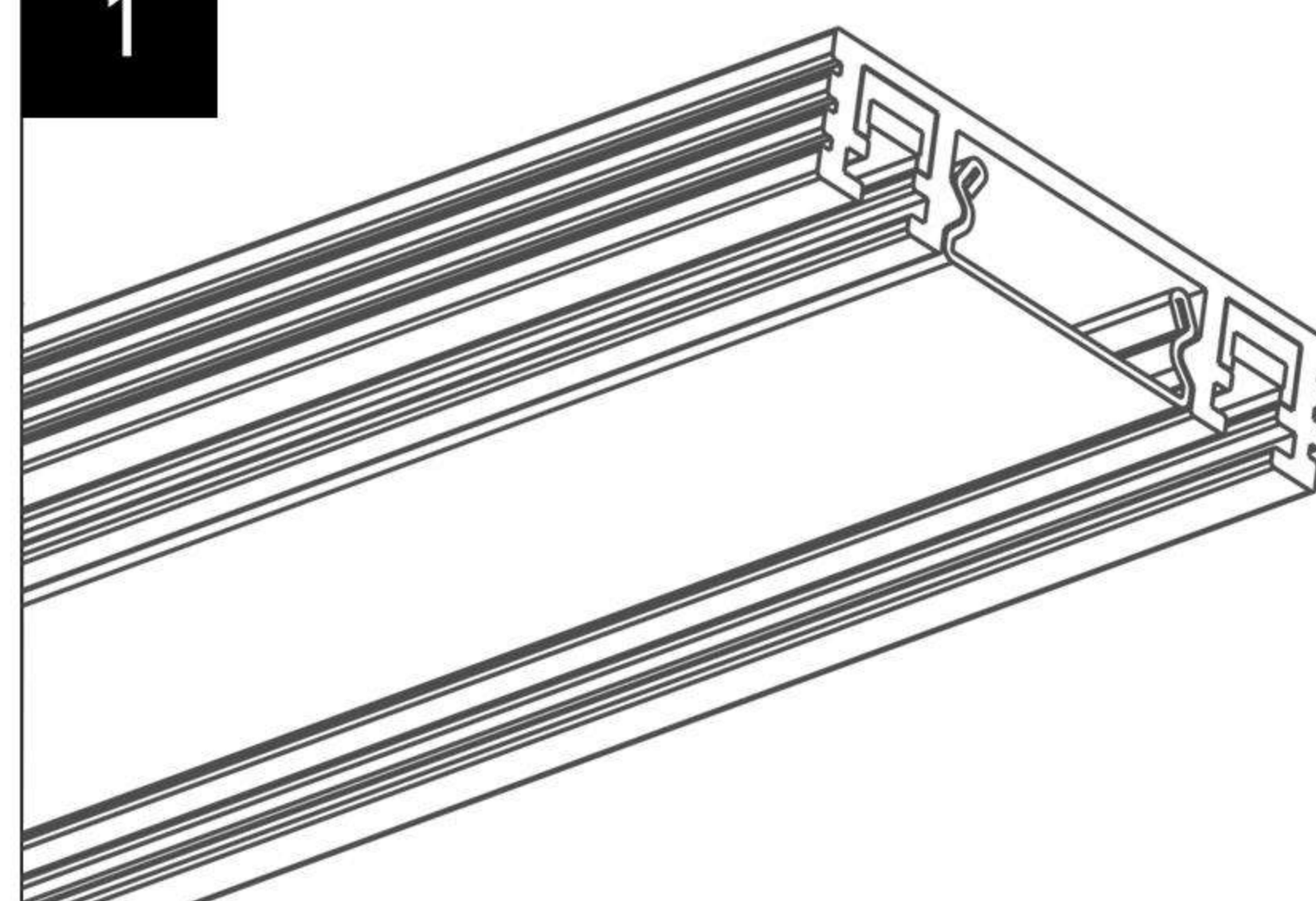


POWER-ON

After installation, turn on the power to turn on the light

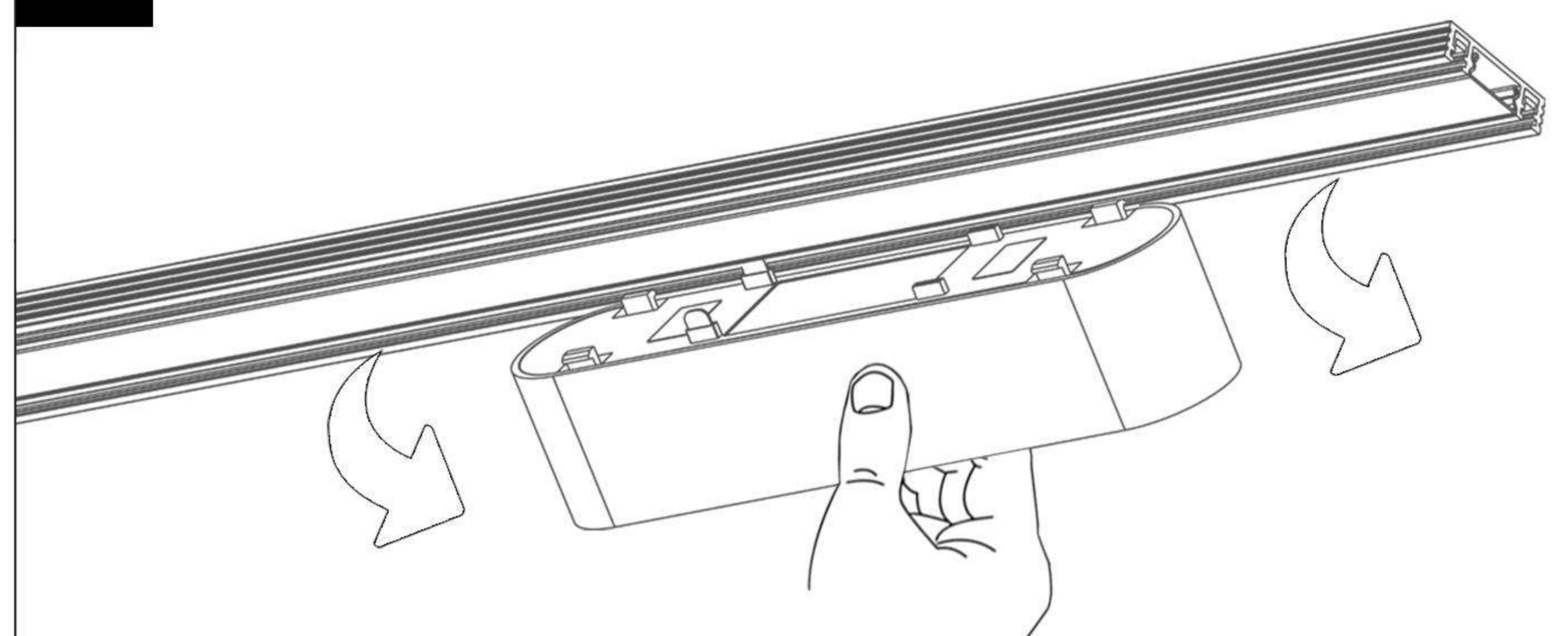
Dismantling lamps

1



POWER-OFF

2



Remove the lamp by pulling it out on the side